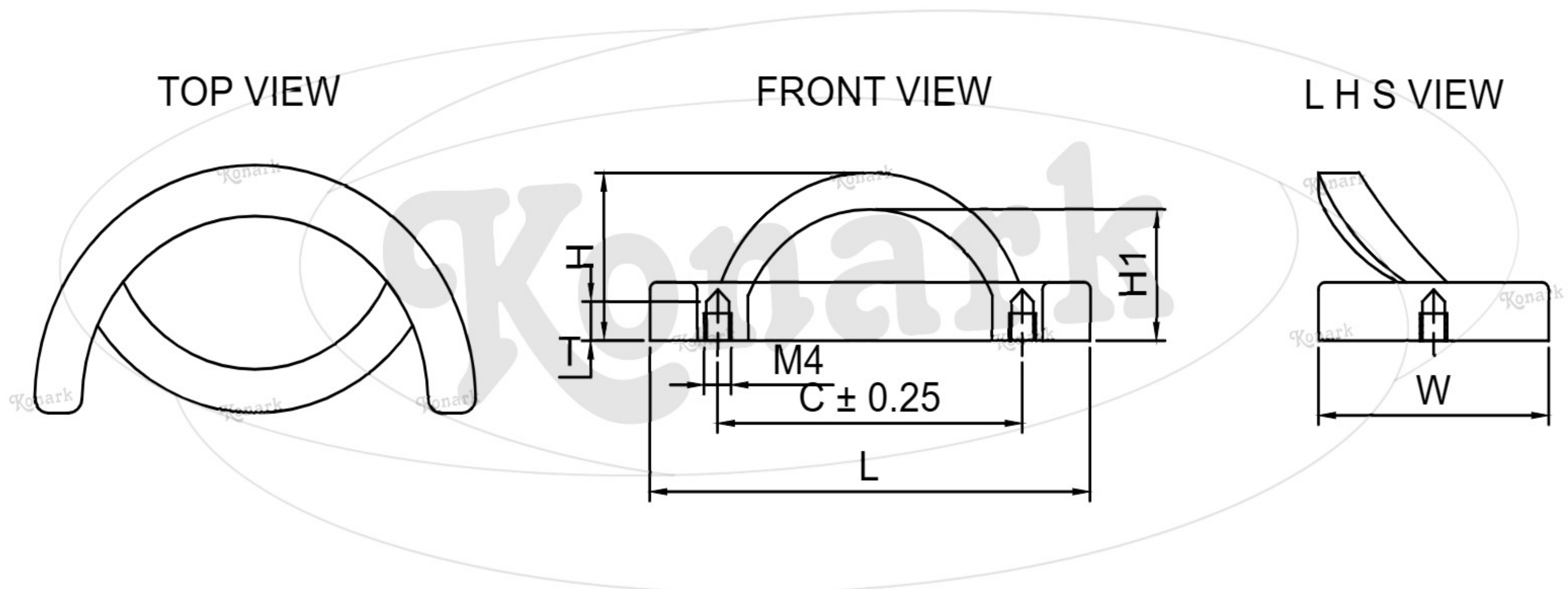


## Model : CH-002



Finish	Size	Product Code	C	L	H	W	H1	T
MT CP SP MC BM RG BA CA	45mm	CH-002 45	45	65	23	34	15	4

