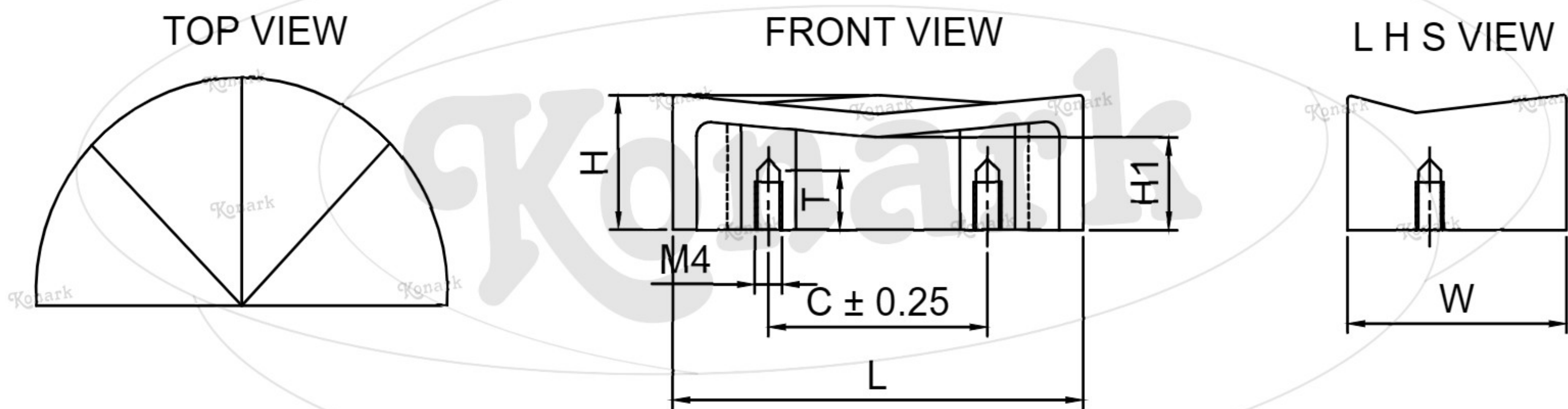
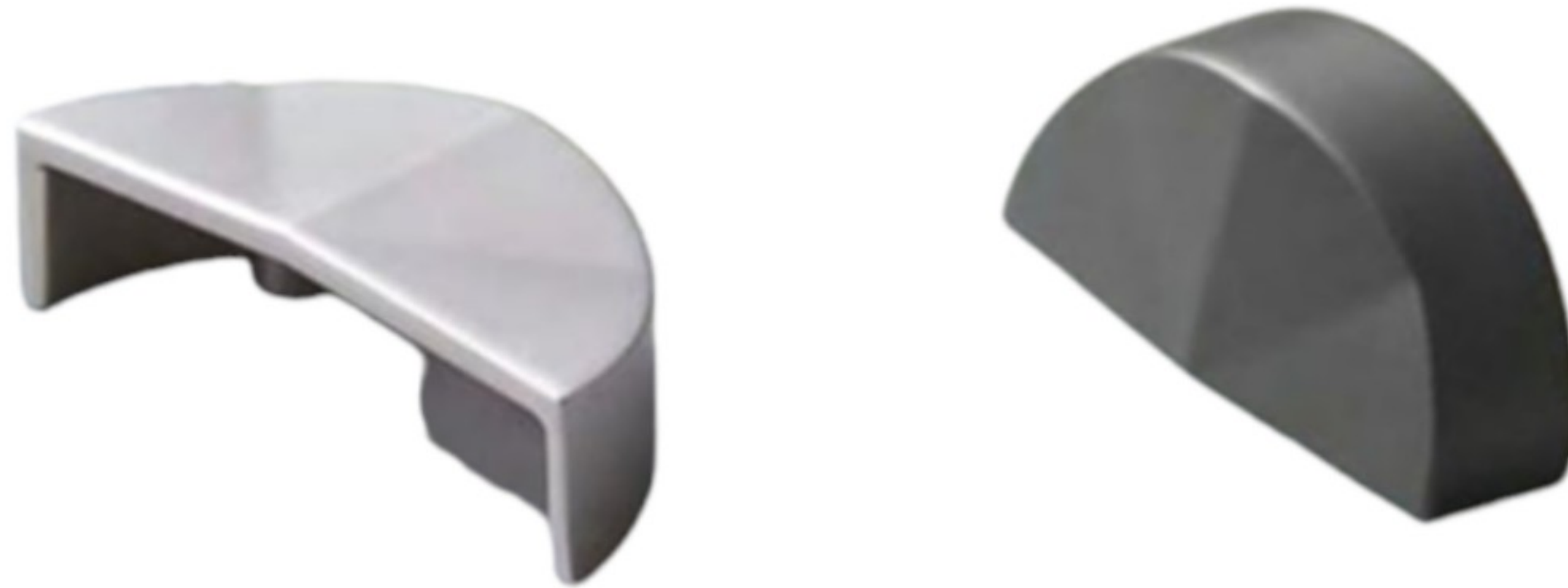


Model : CH-005



| Finish | Size | Product Code | C | L | H | W | H1 | T |
|--|------|--------------|----|----|----|----|----|---|
| MT CP SP MC BM RG BA CA | 32mm | CH-005 64 | 32 | 60 | 19 | 32 | 13 | 6 |

