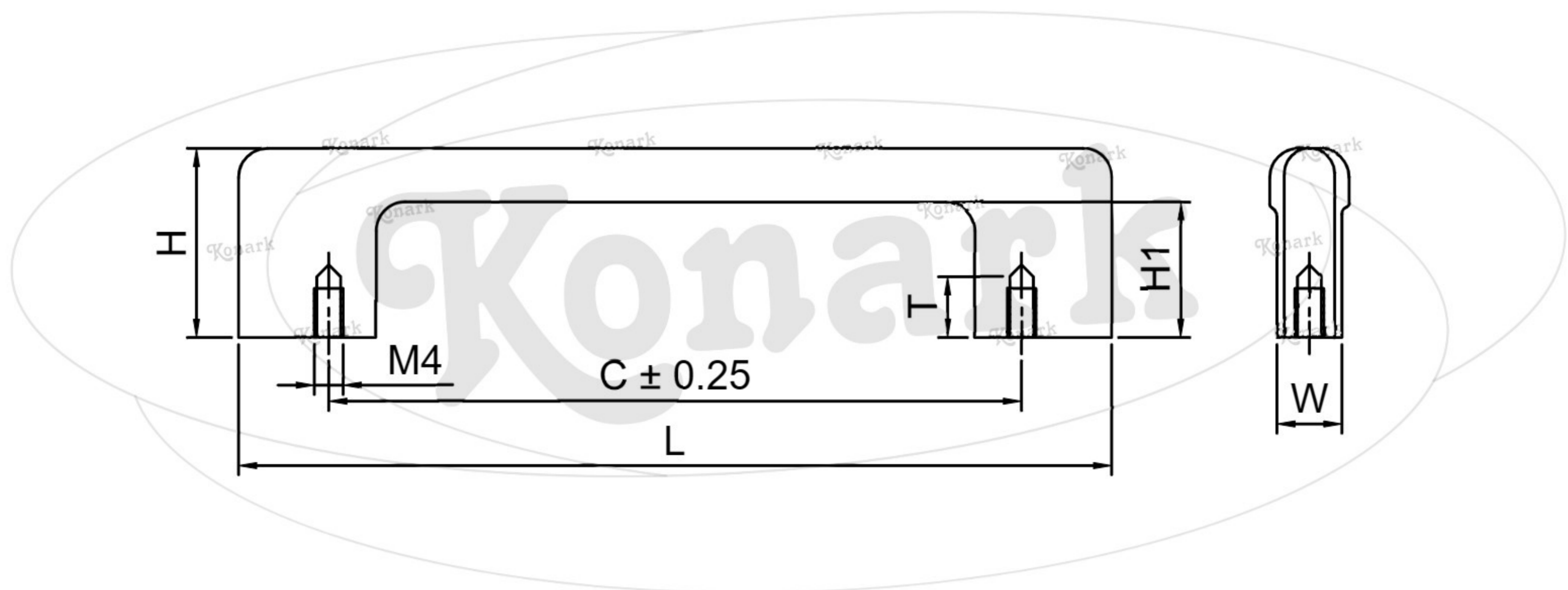


## Model : KFH-040



Finish	Size	Product Code	C	L	H	W	H1	T
MT	96mm	KFH-040 96	96	122	26	10	19	8
CP	160mm	KFH-040 160	160	189	30	10	21	8
SP	224mm	KFH-040 224	224	257	33	10	24	8
MC	288mm	KFH-040 288	288	322	35	12	26	8
BM								
RG								
BA								
CA								

