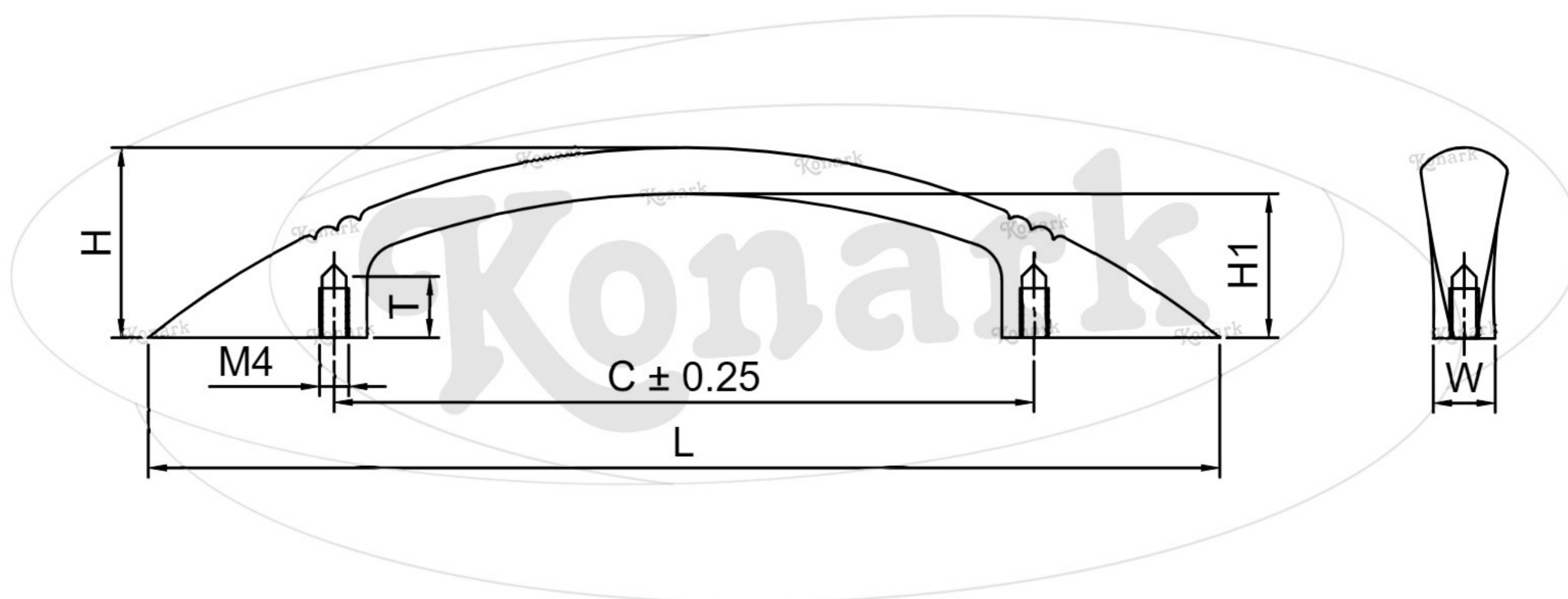


Model : KFH-058



Finish	Size	Product Code	C	L	H	W	H1	T
MT	64mm	KFH-058 64	64	113	24	9	19	6
CP	96mm	KFH-058 96	96	146	24	9	20	6
SP								
MC	128mm	KFH-058 128	128	180	28	9	21	6
BM								
RG	160mm	KFH-058 160	160	215	29	9	22	6
BA								
CA	224mm	KFH-058 224	224	279	33	9	26	6

