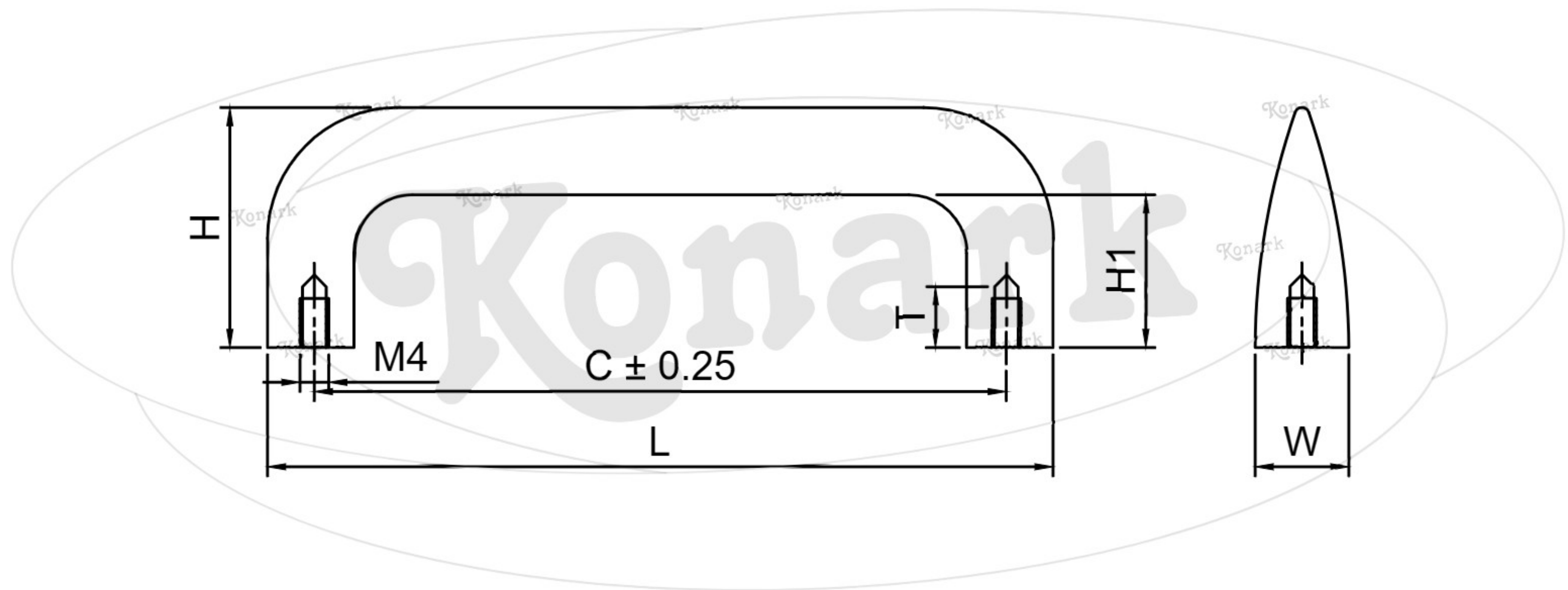


Model : KFH-080



Finish	Size	Product Code	C	L	H	W	H1	T
MT	96mm	KFH-080 96	96	109	33	13	21	6
CP	160mm	KFH-080 160	160	174	35	14	22	6
SP	224mm	KFH-080 224	224	239	37	15	23	6
MC	320mm	KFH-080 320	320	335	41	17	24	6
BM								
RG								
BA								
CA								

