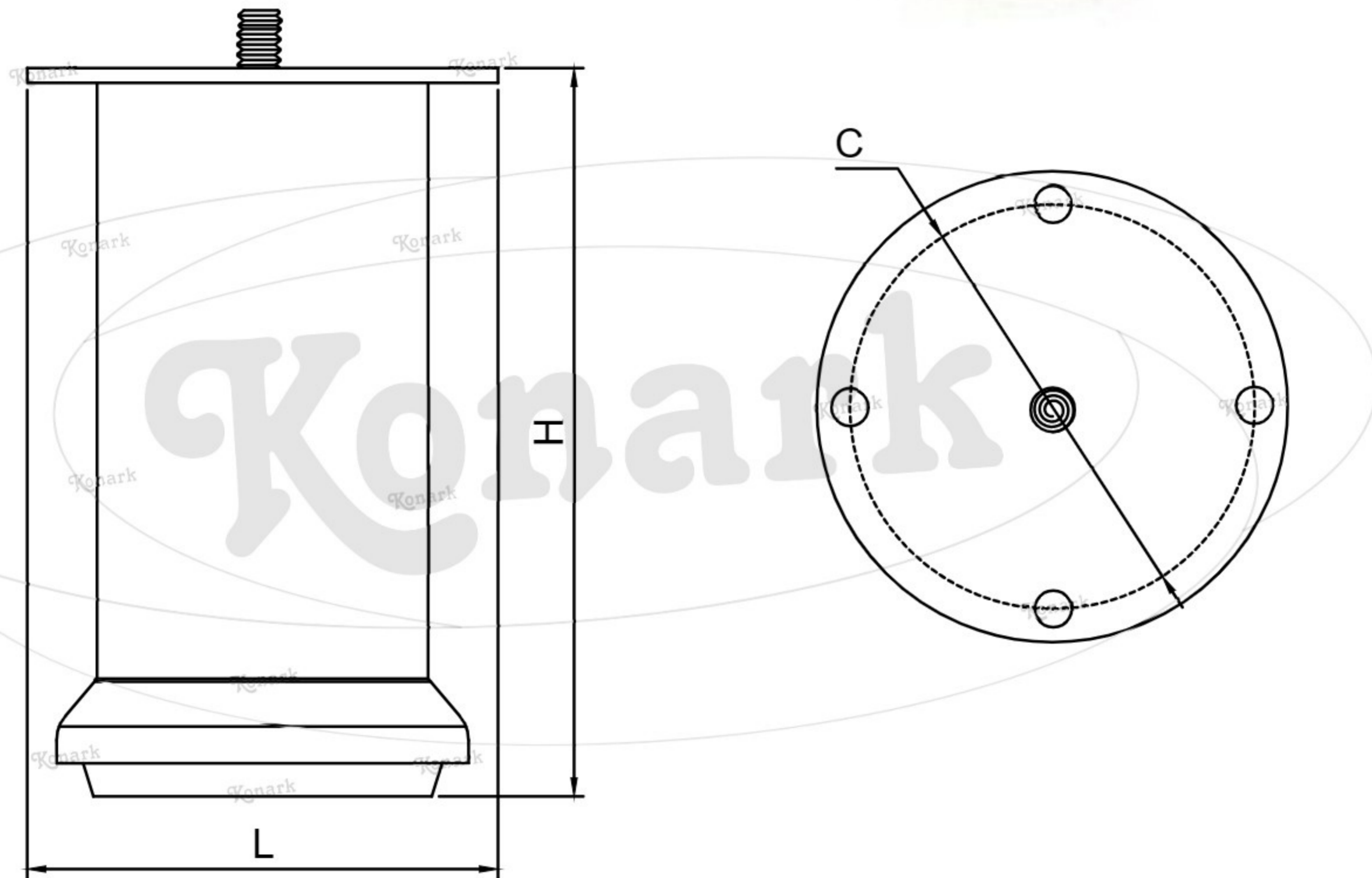


## Model : SL-015



Finish	Size	Product Code	H	C
MT	75mm	SL-015 75	75	55
CP				
SP	100mm	SL-015 100	100	55
MC				
BM	125mm	SL-015 125	125	55
RG				
BA	150mm	SL-015 150	150	55
CA				

