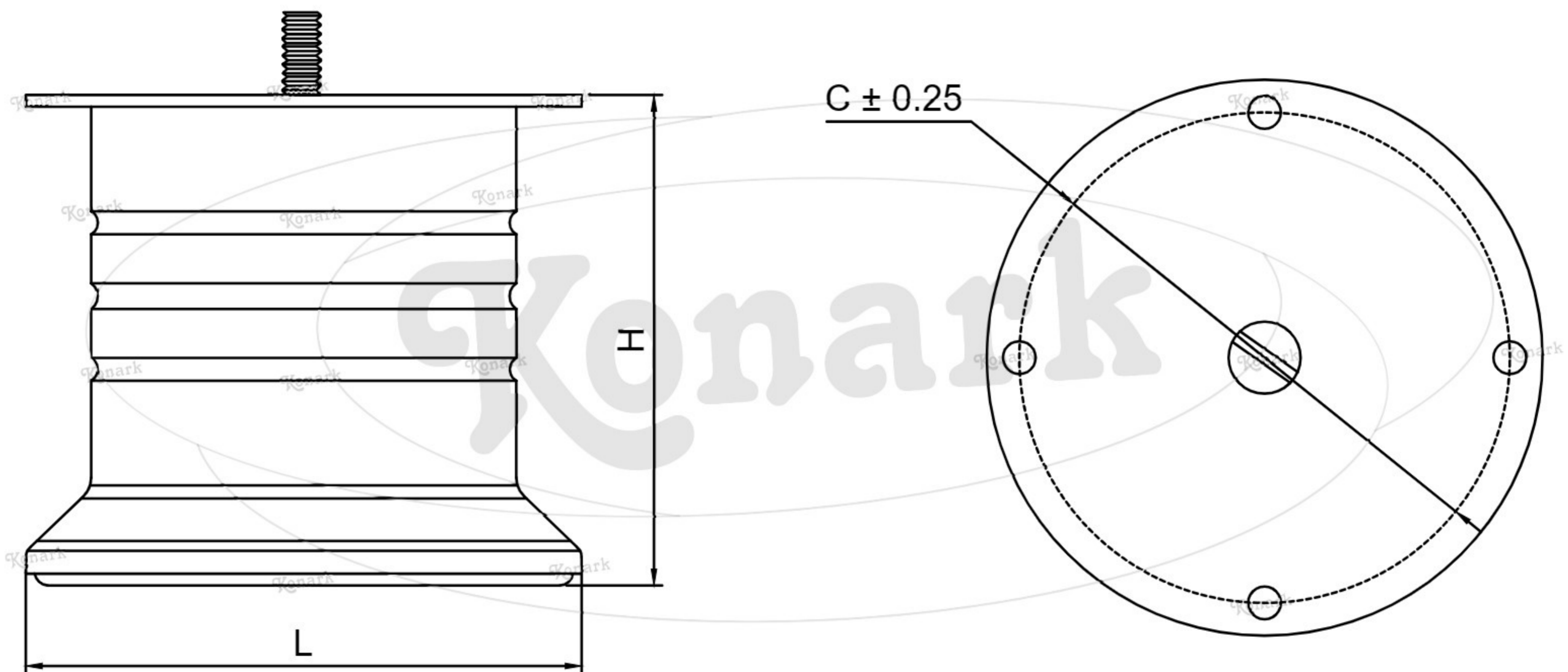


Model : SL-034



Finish	Size	Product Code	H	C
MT	75mm	SL-034 75	75	75
CP				
SP	100mm	SL-034 100	100	75
MC				
BM	125mm	SL-034 125	125	75
RG				
BA	150mm	SL-034 150	150	75
CA				

