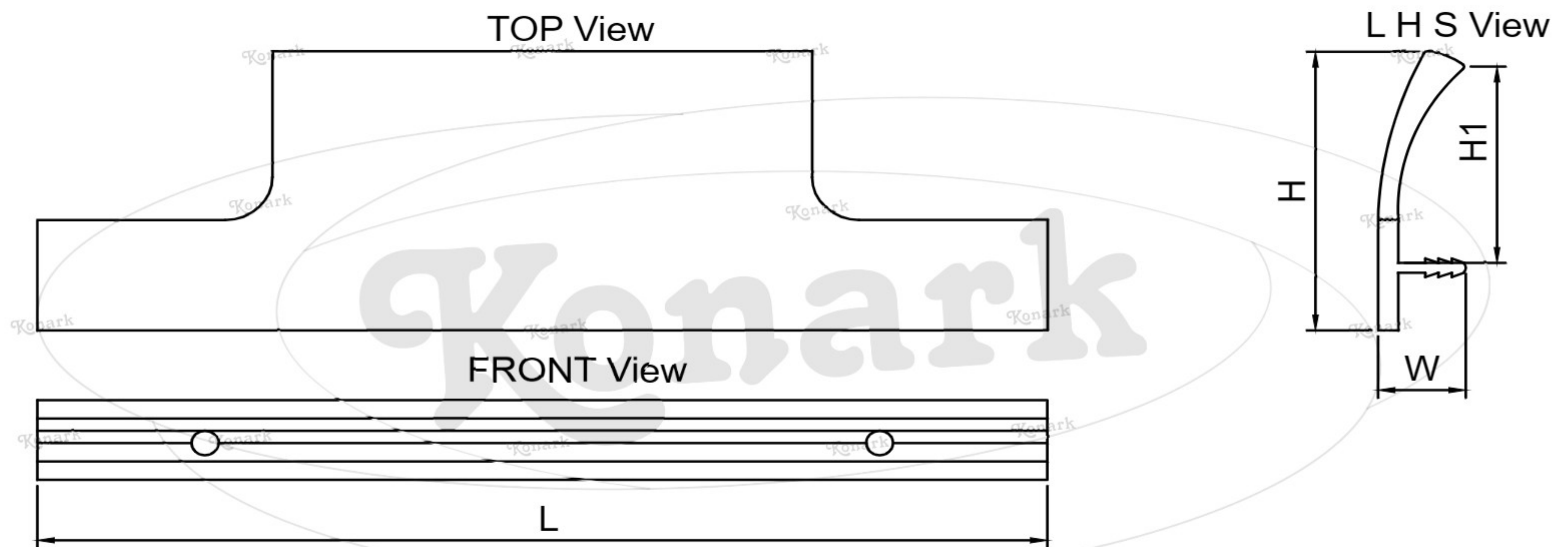


Model : SPH-008



Finish	Size	Product Code	L
MT CP SP MC BM RG BA CA	150mm	SPH-004 150	150
	180mm	SPH-004 180	180
	210mm	SPH-004 210	210
	250mm	SPH-004 250	250
	280mm	SPH-004 280	280
	310mm	SPH-004 310	310
	350mm	SPH-004 350	350
	400mm	SPH-004 400	400
	500mm	SPH-004 500	500
	600mm	SPH-004 600	600
	800mm	SPH-004 800	800

